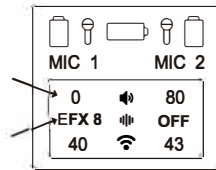




### 3.2 ECHO Operation

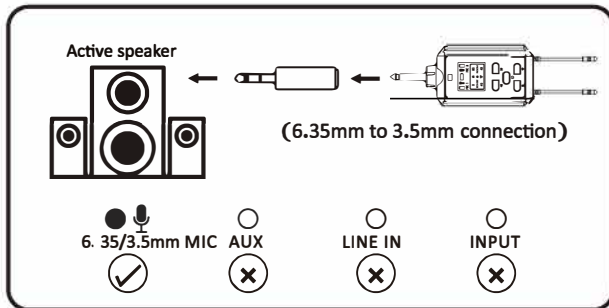
Long-press SET button to unlock screen first, Then short-press SET button to move menu to icon of MIC1 or MIC2, then click UP or Down button to switch echo level between level 1~ level 8, or turn OFF echo.(after operation, echo setting auto sync to transmitter)



### 3.3 Volume Control

Long-press SET button to unlock screen first, Then short-press SET button to move menu to icon of MIC1 or MIC2, then click UP or Down button to adjust volume between 10%~100%.

### 3.4 Output



## 4. SPECIFICATIONS

#### ◆ RECEIVER

Carrier Frequency: 550-960MHz

Dynamic Range: >90dB

Signal/Noise Ratio: >80dB

Total Harmonic Radiation:<0.3%

Electric Current : 250mA±10mA

Voltage : 1x 3.7V Lithium Battery

Frequency Response : 40Hz-20KHz±3dB

Audio Output Level : 500mV±20mV

Ideal Distance : 196 Feet (60 Meters)

#### ◆ HANDHELD

Carrier Frequency : 550-960MHz

Output Power: 10mW

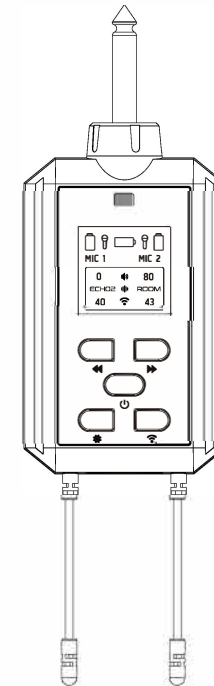
Harmonic Suppression : 54dBc

Harmonic Radiation: <0.3%

Electric Current : 130mA±10mA

Voltage : 2×1.5V AA Battery

# QWM 1900V2



## USER MANUAL

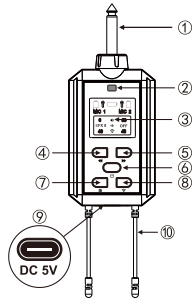
## 1. Main Features

- ◆ Frequency Range 550-960MHz, preset 100CH for selection
- ◆ Preset 8 level echo function to fit to difference occasion.
- ◆ Infrared SYNC to make the operation simple
- ◆ Receiver with TFT screen, handled with LED display indicates working status
- ◆ Handheld transmitter with manual mute function.
- ◆ Ideal Working Distance: Within 196 Feet (60 meters) in open space.

## 2. Product Details

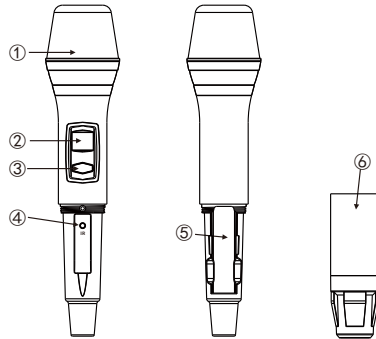
### 2.1 Receiver

1. 6.35mm Jack Output
2. IR Window
3. TFT Screen
4. Up Button
5. Down Button
6. Power Button
7. Unlock/ SET Button
8. SYNC Button
9. TYPE-C Recharge Port
10. Antenna

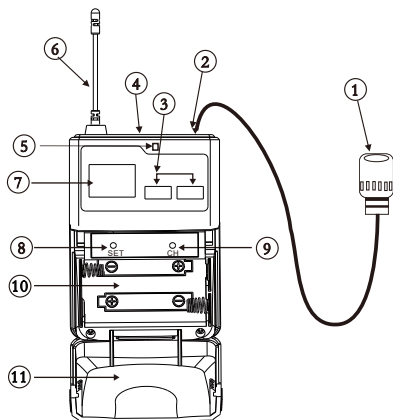


### 2.2 Handheld Transmitter

1. Capsule
2. LCD Screen: Indicate working status
3. Power Button  
Long press to ON/OFF power  
Short press to mute handheld
4. IR Window
5. Battery Sink: use 2 x 1.5V AA battery
6. Battery Cover



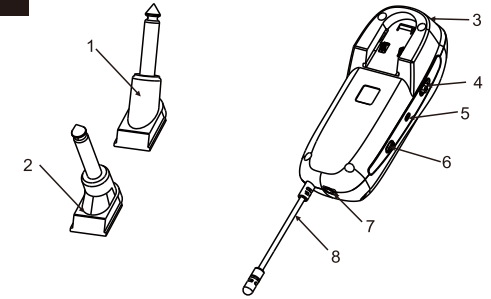
### 2.3 Bodypack



1. Microphone: pick up sound.
2. Input Socket.
3. -VOL+: volume control.
4. ON OFF: power switch.  
Short pressing to turn on, then long pressing it to turn off.  
(Short press for mute when power's on. Long press for 10s to switch mic1/mic2 when power's off)
5. POWER: power indicator.
6. Antenna.
7. LCD: indicates bodypack working status.
8. SET: for pairing frequency
9. CH: to change frequency
10. Battery Sink: insert 2x1.5VAA batteries,  
be awarded to insert them in correct polarity.
11. Battery Cover.

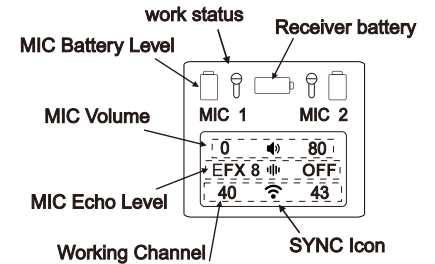
### 2.4 Transmitter

1. 30° Plug
2. 90° Plug
3. Audio input
4. 15 dB Pad
5. IR & Power LED light
6. Power button
7. Charging socket
8. Antenna

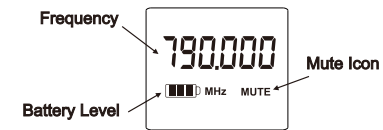


### 2.5 Screen Details

#### RECEIVER



#### HANDHELD



## 3. OPERATION

### 3.1 Channel switch & SYNC Operation

1. Turn on receiver, long-press CH/ECHO button to enter menu.
2. Short-press to CH/ECHO button again and again to select available channel while receiver CH number flashing.
3. Receiver IR window is flash after no operation for 3 seconds.
4. Put Handheld/ Saxophone transmitter IR window close to receiver IR window till receiver's battery or AF indicating work status, that mean SYNC successful.

