



QMEDIABT

Instruction Manual



QMEDIABT Instruction Manual

Version 1.0

CAUTION - ATTENTION - VORSICHT



RISK OF ELECTRIC SHOCK- DO NOT OPEN
RISQUE D'ELECTROCUTION- NE PAS OUVRIR
STROMSCHLAGGEFAHR- NICHT OFFNEN



CE



UK
CA

In Compliance with the following directives: RoHS Directive (2002/95/EU) and WEEE Directive (2002/96/EU)

If this product is no longer functional or reaches the end of its usable life, please take it to an approved recycling plant.

Introduction:

Dear Customer,

Thank you for purchasing the QMEDIABT Media Player. For your safety and to ensure you make full use of the product's features, please make sure you read this manual in full.

Safety Advice:

- Read this manual in full before operating this product.
- Keep this manual in a safe place for future reference.
- Heed all warnings and instructions, both in this manual and on the product.
- In the event of serious operating problems, stop using the appliance and contact your dealer immediately.
- It is prohibited to make unauthorized modifications to this unit.
- Carry and transport this product with care. Dropping this product may result in serious mechanical failure.
- Keep the unit away from children.
- Inexperienced persons should not operate this device.
- The manufacturer accepts no responsibility for injury or damage caused as a result of not following the manual provided.
- This unit is for indoor use only.

Protection from Electric Shock:

- Only connect this unit to a mains socket with suitable breaker and RCD protection.
- To disconnect from the mains socket, always remove by the mains plug. Do not attempt to remove by pulling the mains cable.
- Disconnect the unit from the mains supply before cleaning. Cleaning should be carried out with a soft, dry cloth.
- Do not expose the interior of this unit to any liquids or metal objects. If a foreign object enters the unit, immediately disconnect the mains power.
- Do not operate near exposed water or in high humidity. Allow unit to adapt to surrounding temperatures before switching on, when bringing into a warm room after transport. Condensation inside the unit, may lower the product's performance and/ or cause damages.
- Choose a suitable route for all cables, ensuring trip hazards are avoided and the cables are not at risk of being crushed.
- Do not open this unit to service. There are no user serviceable parts inside. Any servicing or repairs should be carried out by a qualified engineer only. Any attempt to service or adapt this unit will leave your warranty void and could result in serious malfunction or injury.
- Should you need to replace the power fuse, do so with identical size and rating.

Protection from Fire:

- Keep unit away from naked flame sources, such as candles.
- Do not cover or block any ventilation holes (>5cm away from nearest object).
- Prevent use in dusty environments and clean the unit regularly.
- Check your AC wall socket will take the power you are applying to avoid overloading the mains supply.
- Maximum safe ambient temperature is 40°C. Don't use this unit at higher ambient temperatures.
- Unplug the unit before servicing and when it is not in use.
- The power cord should always be in perfect condition. If the cord is squashed or damaged, switch the unit off immediately and contact the manufacturer for a replacement cord.
- The socket inlet must remain operable for disconnection from the mains.
- Never let the power cord come into contact with other cables.
- When the Power Switch is in the OFF position, the unit is not completely disconnected from the mains.

Introduction:

Contents & Unpacking:

Before beginning your initial setup, check the unit has not been damaged in transit and all parts below are supplied. In the event there is damage to the housing, cable or internal components, contact your dealer immediately.

Included in the Box:	Amount
QMEDIABT Main Unit	1 piece
Mains Cable	1 piece
FM Antenna	1 piece
IR Remote Control	1 piece
Bluetooth Antenna Front-Mount Kit	1 piece
Mounting Brackets	2 pieces

A versatile digital media player designed in the UK for installations in bars, restaurants, gyms, and pubs, the Q Audio QMEDIABT combines a built-in tuner, Bluetooth receiver, and SD card/USB inputs. Save up to 10 radio stations with RDS display, or play MP3 files from a USB stick or SD card (up to 16GB, approximately 2000 songs). The large LCD screen provides MP3 tag readouts, making track selection easy.

With balanced XLR and unbalanced RCA outputs, connecting to mixers, amplifiers, or powered speakers is straightforward. A rear-panel volume control allows you to set the output volume securely post-installation. Additionally, a built-in jingle/message player in USB/SD mode supports up to three jingles, which can be triggered by front-panel buttons or set to play on a timer—ideal for announcements or adverts.

This compact unit can be rack-mounted (brackets sold separately) and comes with an IR remote for convenient operation.

Features:

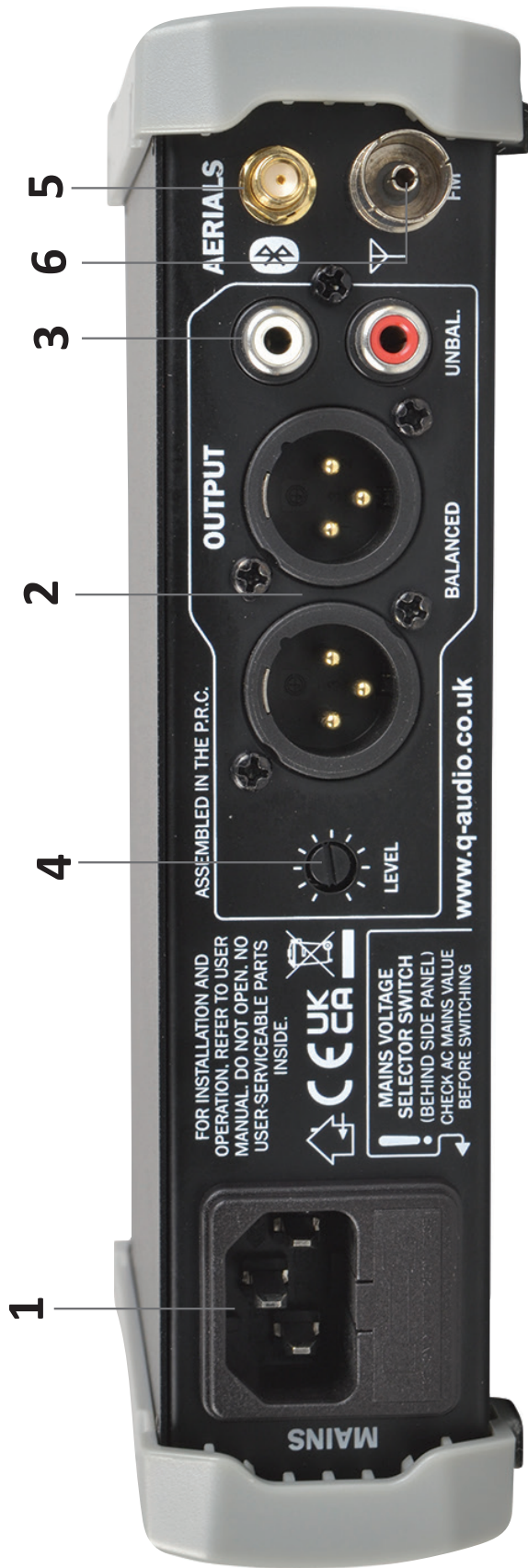
- Media Player with Tuner, SD Card, USB and Bluetooth Receiver
- MP3 File Name Readout on Large LCD Display
- FM Tuner Mode with RDS Station Display
- 10 Self-Programmable Radio Station Presets
- IR Remote for Media Player, FM Stations & Volume Control
- Balanced (XLR) & Unbalanced (RCA) Output
- Jingle Player Included
- 19" Rack Bracket Sold Separately

Technical Specifications:

Product	QMEDIABT
Audio Formats (local replay)	MP3
AC IN	115V/230V ~ 50/60Hz
Power Consumption	Max. 10W
Dimensions	195 x 50 x 131mm (with plastic side cheeks) 180 x 42 x 114.2mm (without plastic side cheeks)
Weight	0.9kg

Controls and Connections:

Connections - Rear:

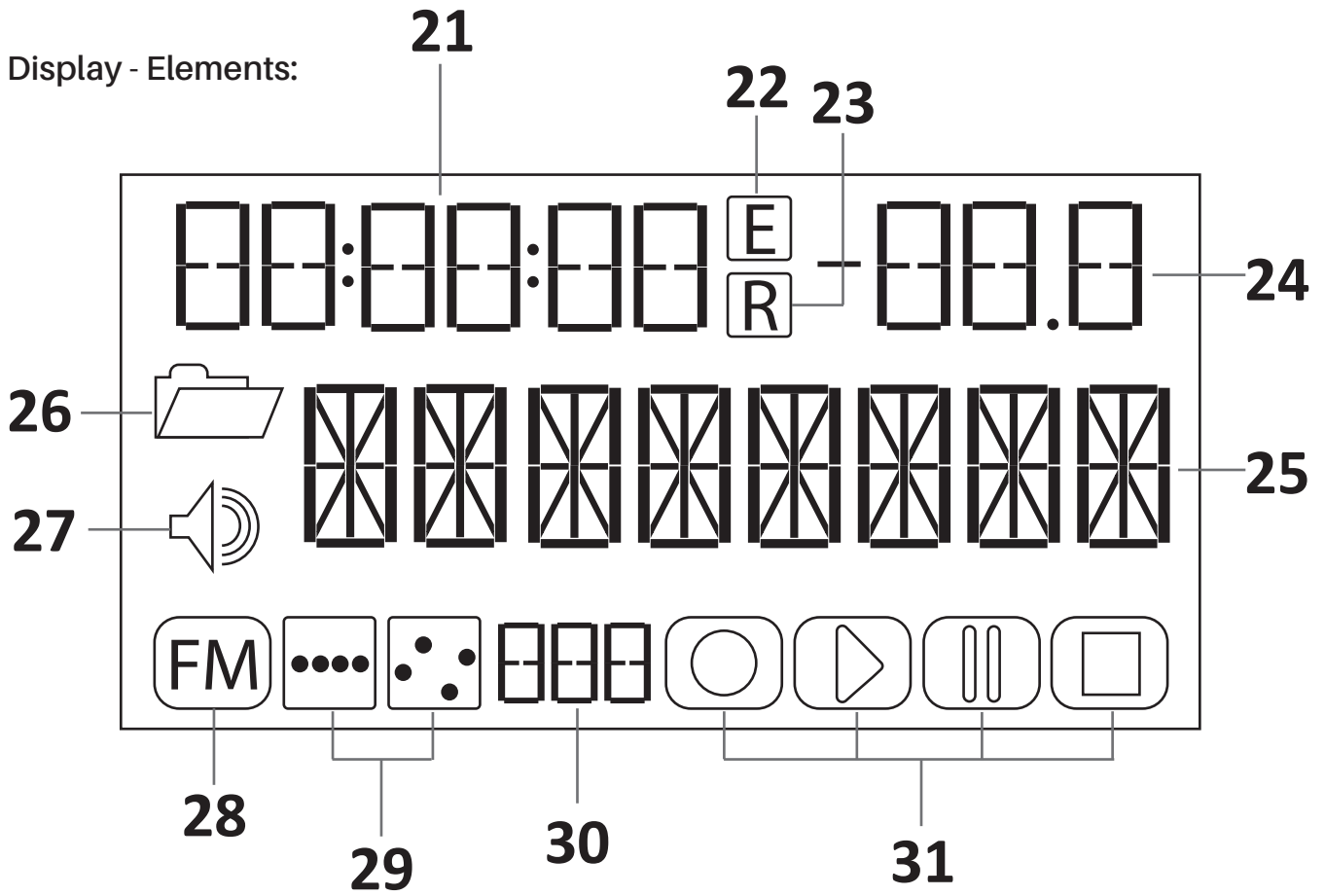


Controls - Front:

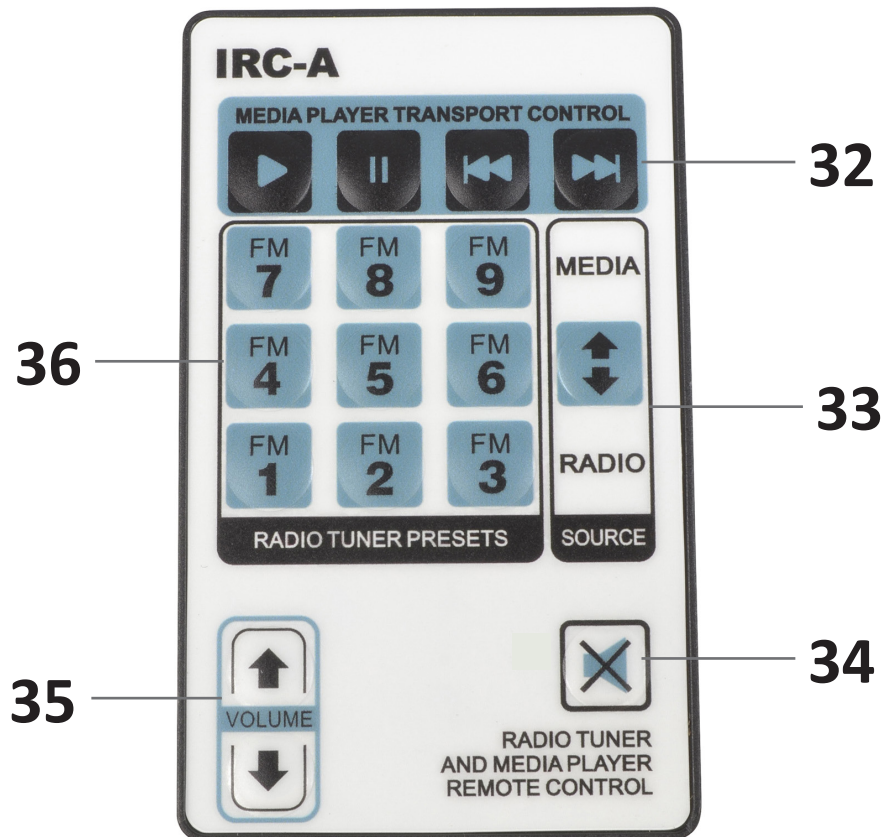
No.	Function
1	AC inlet- Use the supplied AC cord to connect the unit to the AC mains. Check voltage and frequency stated and set on the unit comply with your local AC main supply. Replacement of the internal AC mains fuse requires you to hand over the unit to qualified personnel.
2	Stereo Main Output- A balanced stereo XLR Output.
3	Stereo Main Output- Unbalanced RCA Output carrying the same signal as Output 2.
4	Maximum Level Setting for Stereo Main Output- Limit the maximum level at the outputs in order to match the connected sound system. Total angle is 300 degrees and adjustments can be made with a screwdriver.
5	Bluetooth Antenna Socket- Plug in the supplied BT antenna here.
6	Aerial Socket- Plug in a dedicated FM antenna here or any suitable antenna cable.
7	Power Switch- Switches the unit on and off.
8	SD Card Slot- Insert a max 16GB SD Card with a one-level folder structure for replay of MP3 Files here. When a USB is inserted, the last media inserted is given priority.
9	USB Memory Socket- Insert a FAT-32 USB Memory Stick of max 16GB with a one-level folder structure for replay of MP3 Files.
10	Media Player Display- Shows track/ folder information; play status; replay mode and play sequence settings.
11	Data Dial- Media Player Mode: Turn to choose a folder/song and press to select. FM Mode: Press to choose station or frequency.
12	Folder Level (Store) Button- Media Player Mode: Press to go to folder and navigate by data dial. FM Mode: Store a new station preset, choose the frequency scroll mode by pressing the data dial. Press the Store button (12) once to display the station preset you wish to store the frequency at. Choose the preset by turning the data dial, and confirm by pressing the Folder Level Button.
13	Media PLAY/ PAUSE/ STOP Button- Inactive in FM Mode: Press briefly to PLAY and PAUSE. Press for longer than 2 seconds to STOP and press again to restart.
14	Play Sequence Selector- Inactive in FM Mode: Select between Straight Play Sequence (alphanumerical sorted songs) or Random Play Sequence.
15	Play Mode Selector- Select between: Single Play (SPL), Single Loop (SLO), All Continuous (ACO) and All Loop (ALO).
16	Time Display Selector- Media Mode Only: Selects between elapsed and remaining time of current track.
17	IR Receiver Sensor- When using IR Remote, make sure this sensor is unobstructed
18	SOURCE Button- Toggles between Media Play, FM Tuner and Bluetooth (AUX-BT).
19	JINGLE Buttons- Available in Media Mode and FM Tuner Mode- mutes the current program to play a programmed Jingle.
20	Scheduled JINGLE Play Mode Indicator- LED is lit when the scheduled Jingle Play Mode has been activated by pressing the J1 button for longer than 2 seconds.

Controls and Connections:

Display - Elements:



Remote Control - Elements:



Controls and Connections:

No.	Function
21	Time Display: In Media Mode: Remaining or elapsed time are displayed, depending on setting of component (50) / FM Mode: (Station Scroll Mode)- The station preset number is displayed, (Frequency Scroll Mode)- Remains blank.
22	Time Mode Display - Elapsed (Media Mode Only): Elapsed time of current track.
23	Time Mode Display - Remaining (Media Mode Only): Remaining time of current track.
24	Numeric Data Display: Not used on this product.
25	8-Digit Clear Text Readout: In Media Mode: Name of currently playing track is shown / FM Tuner: RDS Station Name or Current Tuned Frequency is displayed.
26	Folder Name Display Indicator (Media Mode Only)- Shows Folder Name.
27	File Name Display Indicator (Media Mode Only)- Shows File Name.
28	Source Mode Indicator- Shows if the unit is in Media Play or FM Mode.
29	Play Sequence Indicator (Media Mode Only)- Shows whether unit is set to play a sequential or random sequence.
30	Play Mode Indicator (Media Mode Only)- Based on the selection made by control (49), this part of the display shows the letters "SPL", "SLO", "ACO" or "ALO".
31	Transport Status Indicators (Media Mode Only)- 3 standard symbols indicate PLAY, PAUSE or STOP status. The 1st indicator is not used in this product.

No.	Function
32	Transport Controls (Media Mode Only)- Play, Pause, Next and Previous buttons to navigate through tracks.
33	Source Button- Toggle between Media Player and FM Tuner.
34	Mute Button- Mute and Unmute Media Player Output.
35	Volume Control- Turn up/ down the audio volume of the media player.
36	FM Preset Station Buttons (FM Mode Only)- Remotely activate the stored FM station presets. Manual tuning via IR Remote is not possible.

Product Configuration Setup:

Installation Guidelines:

- Install the unit in a well-ventilated location, where it will not be exposed to high temperatures or humidity.
- Placing and using this unit near heat-generating sources will affect its performance and may even damage the unit.
- The player is supplied with small mounting brackets. To fit the player in a 19" rack unit, the necessary fixing brackets and suitable screws will need to be purchased separately.
- Take care to minimize shocks and vibrations during transport.
- When the mixer is installed in a rack, make sure the rack is well ventilated, to keep the unit as cool as possible.



Warning: Before plugging the AC Cord in the wall outlet, check whether the AC mains voltage and frequency is compatible with this product. If the specified voltage or AC plug do not match local conditions, do NOT plug the AC cord into the wall outlet and contact your dealer.

The AC selector switch is located on the right side panel of the unit, under the plastic cheek.

The side cheeks can be removed by loosening the 4 screws.

Using your Product- The Basics:

Operation Basics:

Connections:

When connecting this unit to AC mains, please note:

- Check whether the AC mains voltage and frequency matches the product's specification (rear panel). If the specified voltage does not match your AC plug, do NOT plug it in and contact your dealer immediately.
- Do not operate the unit without the earth ground cord connected.

To ensure good audio signal connections, always use good cables. Poorly soldered cables may result in loss of sound quality or intermittent audio signals.

Powering Up:

To protect your equipment, it is important you follow the proper power-up sequence. Follow the procedure below:

- Turn down all output volume controls of any equipment in your audio system.
- Switch on your audio sources first (Tuners, CD Players, PC's etc.)
- Switch on this audio mixer.
- If applicable, switch on any audio processor between the mixer and amplifier(s).
- Turn up the audio level on your sources if such controls are provided.
- Set the mixer's audio output to a low level. Any audio processor's between the mixer and amplifier(s) should be set to a medium level.
- Turn up the volume slowly and make adjustments to all volume settings as needed.

For switching off, complete the sequence in reverse, always switch this unit off before the connected audio sources.

Use:

Level setting mistakes are one of the most common reasons why equipment is not performing as desired. For setting levels, please follow these two guidelines:

- Avoid distortion by leaving some headroom. Ensure audio inputs are never overrun. This can be monitored by looking at the level meters and displays.
- Use as little attenuation as possible to avoid unnecessary amplification.

By following these steps, you are marking a levelling window that the operator must match to achieve a good sound with as little distortion and noise as possible.

Information on Files, Folders and Data Conventions:

The media player section built into this unit is a hardware player and is subject to various restrictions:

Media Memory Types: SD Cards and USB Sticks up to 16GB in size. Formatted in FAT32 File System and contain a maximum of 2000 files. NOTE: Larger memory sizes, external hard disks or any media with NTFS Formatting is not supported.

Media File Types: The player's replay ability is limited to MP3 Files.

File/ Folder Structure: The player only allows a two-layer folder structure. Subfolders will be ignored. Playable files located in the root layer are displayed as "ROOT", although this folder does not physically exist in the solid state memory media.

Folder Sorting: Folders are displayed in the order of their creation dates. To create a sequence, folders must be created in the sequence first, before uploading MP3 files.

File Sorting: Files are stored alphanumerically using the first 8 digits.

File System Cache: To allow quick access to the file directory during navigation, the player loads a copy of the file directory to its own memory, when the solid media state is inserted. A countdown will be displayed. The time required is about 4 seconds per 100 tracks; meaning the maximum 2000 tracks should take 80 seconds.

Discard Files/ Folder Names: MP3 Files are displayed with the first 30 digits of their file names in a scrolling manner; digits exceeding the first 30 will be ignored. NOTE: The display data is the file name and not the ID3 tag of the file.

Folders are displayed with the first 10 digits of their names; any exceeding digits will be ignored.

Using your Product- Product Features:

Jingle Commercial Player:

This unit contains a jingle player with a one-shot mode for teasers and a scheduled mode for commercial purposes (like playing advertisements in a certain sequence).

How to use your Jingle Commercial Player:

- Create a folder with EXACTLY this name (inc. capital letter 'J'): Jingles
- In this folder, you will save your Jingle and Commercial files using the following name rules:
- Standard naming: jX_YY.mp3

Where: X= the number of the jingle/ commercial (1, 2 or 3).

and YY= the number of minutes "music playback" before the commercial starts playing.

For example- Scheduled Playback:

File name: j1_20.mp3, is the 1st Jingle to play, after 20 minutes of music.

Then j2_30.mp3, will play after Jingle 1's cycle + 30 minutes of music.

Followed by j3_10.mp3 which will play after all of the above + 10 minutes of music.

Manual Playback: Jingles can also be manually played at any moment, simply by pushing one of the three Jingle Buttons on the unit.

Bluetooth Replay (only versions with built-in Bluetooth Receiver):

The QMEDIABT features an in-built optional Bluetooth module. This cannot be retrofitted and may be subject to territorial restrictions.

To connect a Bluetooth source (e.g. smartphone) to your QMEDIABT, follow these steps:

- Press the Source Button [18] until display shows "AUX-BT".
- Activate Bluetooth on the Source Device.
- Search/ Scan for Devices on the Source Device.
- Search "Bluetooth Board" and confirm connection request.
- Wait for single beep from the QMEDIABT.
- The devices are now paired (QMEDIABT can now receive audio via Bluetooth from the device). NOTE: The QMEDIABT will only support the pairing of one device.

To Disconnect a Device:

- Tap on existing Bluetooth connection on your Source Device.
- Wait for dual-tone beep from QMEDIABT.
- The devices are now unpaired and the QMEDIABT can be paired with another device.

NOTE: The maximum distance of operation between your source device and QMEDIABT will vary depending upon position of the two items, interfering signals and the antenna/ bluetooth hardware of the source device. While Bluetooth should work up to 10m distance, certain hardware combinations, geometrical setups or the presence of interfering signals can reduce this significantly. The manufacturer of this device does not guarantee any specific operating distance.

Remote Volume Control:


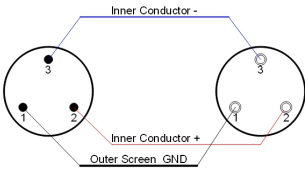

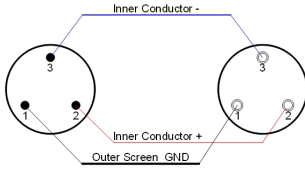


The QMEDIABT is supplied with an IR Remote Control. This does not replace the controls on the front panel of the unit, but adds convenience when operating the machine at a distance. A line of sight between the IR Remote and the sensor on the QMEDIABT is required for best performance.

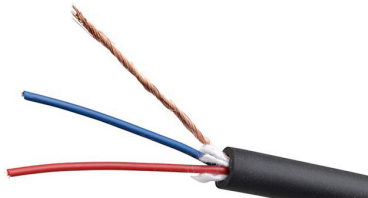
Cleaning and Maintenance:

Clean by wiping with a damp cloth. Avoid getting water inside the unit. Do not use volatile liquids, such as benzene or thinner, which will damage the unit.

Connections:

This unit uses the connector types shown in the table below. To ensure proper operation, make sure to use good connectors and cables. Balanced operations are preferable over unbalanced connections, where applicable. If unbalanced connections are used, avoid exceeding 2m of cable length for this connection.

	Structure	Balanced Connection	Unbalanced Connection
		RED= 2 BLACK= 3 SHIELD= 1	RED= 2 SHIELD= 1+3
		RED= 2 BLACK= 3 SHIELD= 1	RED= 2 SHIELD= 1+3
		N/A	RED= TIP SHIELD= SLEEVE



2- CONDUCTOR SHIELDED CABLE
(BALANCED CONNECTIONS)



1- CONDUCTOR SHIELDED CABLE
(UNBALANCED CONNECTIONS)

Disposal of the Unit:

Environmental Advice (Disposal of Unit):

This unit is built to conform to the ROHS Standards and the WEEE Directive 2011/ 65/ EU of the European Parliament and of the Council of the European Union. Under these regulations, the product shall not be discarded into regular garbage at the end of its life, but shall be returned to authorized recycling stations.

Correct Disposal of this Product:

Waste Electrical and Electronic Equipment

Applicable in the European Union and other European Countries with separate collection systems.



This marking shown on the product or its literature, indicates it should not be disposed with other household waste at the end of its working life. To prevent possible harm to the environment or human health from uncontrolled waste disposal, please separate this from other types of waste and recycle it responsibly to promote the sustainable reuse of material resources.

Household users should contact either the retailer where they purchased the product, or their local government office, for details of where and how they can take this item for environmentally safe recycling.

Business users should contact their supplier and check the terms and conditions of the purchase contract. This product should not be mixed with other commercial wastes for disposal.

Thank you for taking the time to read this manual.

For further enquiries, please contact us at:

Q-Audio (Products) Limited,
Unit 15, Rochester Airport Industrial Estate,
Laker Road, Rochester, Kent, ME1 3QX.

Website: q-audio.co.uk
Telephone: 0203 598 5164
Email: info@q-audio.co.uk

